

POWERSTAR Man Lifter Truck

User's Manual



POWERSTAR TRUCKS INDUSTRY CO., LIMITED

<http://www.isuzutrucks.cn/>

www.isuzutrucks.cn

Preface

Thank you for purchasing POWERSTAR TRUCKS products. For better using your man lifter truck with basket, get the best operating performance, we strongly suggest you before the operation process you could read the instructions carefully, and to manipulate the program handily.

The manual detailed describes the performance of man lifter truck with basket, structure, usage, precautions and maintenance of such knowledge. Before the operation, the operator should carefully read the contents of the manual.

After master the truck performance characteristics, methods of operation and precautions, then could start to operate this man lifter truck with basket. In order to ensure the staff turnover after the operation, and properly use of the truck. This manual book must be properly kept, shall not be lost and damage.



----POWERSTAR TRUCKS

POWERSTAR

Contents

Chapter 1. General Description	4
Chapter 2, Safety Warnings.....	5
Chapter 3, Main Technical Data.....	9
i , Normal Operation Conditions:	9
ii , Performance Parameters:	9
iii, Vehicle Specifications	9
Chapter 4, Structure Components and Working Principles.....	10
i , PTO System	10
ii , Slewing Rotation System.....	10
iii, Centre Slewing Joints.....	10
iv , Hydraulic System	10
Chapter 5, Structure Components and Working Principles.....	12
i ,Driving of the Man Lifter Truck.....	12
ii ,Pre-operational Checks.....	12
iii, Man Lifter Truck operations (Very Important)	12
iv , Notes & Attentions	20
Chapter 6, Hoist Hooker Operation	21
Chapter 7, Maintenance & Repair	22
i , Chassis Truck Maintenance	22
ii , Routine Checking & Maintenance	22
iii, Hydraulic System Checking.....	22
iv , Rob's Adjustment	24
v , Malfunction Analysis.....	25
Chapter 8, Lubrication	27
Chapter 9, Transport & Storage.....	28

Chapter 1. General Description

POWERSTAR TRUCKS Man Lifter Truck with Basket mounted based on type II ISUZU chassis, multifunctional with arms could reach 10.6 meters height of air operations and 3.2Tons lifting capacity, widely used in street maintenance, landscaping works, television video, communications engineering, airport, decoration, aerial advertising and other areas of need.

The vehicle designed to fully rely on the advantages of the original chassis, fully consider the product's convenience and reliability. Working arms in the form of three telescopic, the vehicle advantages of a large work area, can adapt to different working conditions' requirements. Powertrain system using hydraulic transmission fitted on slewing rotation saddle and basket each with a separate operating system, the operation system priorities then bucket operations

The Man Lifter Truck with Basket equipped with overflow protection, emergency power, cylinder lock and other security devices to ensure safety operations. The remote control system is designed for convenient operation. Therefore, the vehicle is an ideal multi-purpose aerial vehicle.



(Preview for your ISUZU Man Lifter Truck with Basket)

Chapter 2, Safety Warnings

Non familiar with or Non observe the following safety warnings are likely to cause accidents !

- Before use, you must check whether the Man Lifter Truck with normal maintenance or not. (See seven)
- Before the operation, must be assured that the truck in a solid level ground. To determine the hand brake on brake position, all the necessary accessories must be in place (such as tire pads, safety warning flags, etc.). Legs must be supported on solid ground, in order to ensure stability. If you must work on slopes situation (max 5 °), must be fully extended legs, and operated in high-slope side
- Getting on/off the truck, should use the provided the bucket ladder, running and pad.
- The operator on the bucket must wear protective safety equipment specification requirements, and fixed in a safe anchor ring.
- The protective equipment has been used by the operator must be consistent with the work requirements, must meet safety standards.
- In operating equipment such as rotary or lifting arm, etc., must be confirmed no traffic obstruction, no obstructions or around high-voltage interference.
- Make sure that the truck maintains in a certain distance and pedestrians out away from the work area.
- Under the Arms/Booms is prohibited with mankind standing.
- Control valve should be operated and handled slowly, in order to achieve smooth movement, to prevent a sudden start or stop, to prevent contact with solid objects, arm and bucket work, such as tree branches, buildings, etc.
- Could not allowed the bucket in a situation of side working ,next to the bucket load, or lift from the bucket to the un-target subject, bucket prohibit to hang goods.
- Rated bucket loading 200kg, not allowed to overload. Rated load, including operators, tools, articles all of those.
- Not Allowed to stand, sitting on the edge of the bucket and human body lean on the bucket edge are prohibited either.
- The bucket not allowed putting with ladder, cushions inside, and any approach of increase

height of working are prohibited.

- *Not allowed move the truck in the situation that bucket inside with human beings, otherwise it will lead to personal injury.*
- *Truck in moving or running, the arms and legs must be in the normal contraction.*
- *As operation or malfunction is found, please report immediately to the manufacturer.*

NOTICE:

Chassis platform as the angle of more than 5 ° the bucket truck shall not allowed be operated.

Human beings not allowed near with the hydraulic legs when the truck in working condition, otherwise it will cause injury.

POWERSTAR

Drinking or unconsciousness person prohibited to operate the truck.

WARNING:

Side level force working on the bucket may cause disastrous, lead result in casualties.

To Dear Operator'

The letter is to enable the operator to understand of controlling of the Man Lifter Truck with Crane allows the operator to use the equipment effectively and safely. Before operation, you must be fully read with this manual. Any lifting equipment operated by untrained or careless user, are potentially dangerous.

The Man Lifter Truck hydraulic system designed advanced, with a safe and reliable tech. However, any equipment without maintenance could not keep the equipment in good working condition, the operation will potentially dangerous. So you are familiar with the equipment itself before the operating process goes. Any unclear changes or operations for this Manlifer truck, you must immediately report to the superiors or notify the manufacturer.

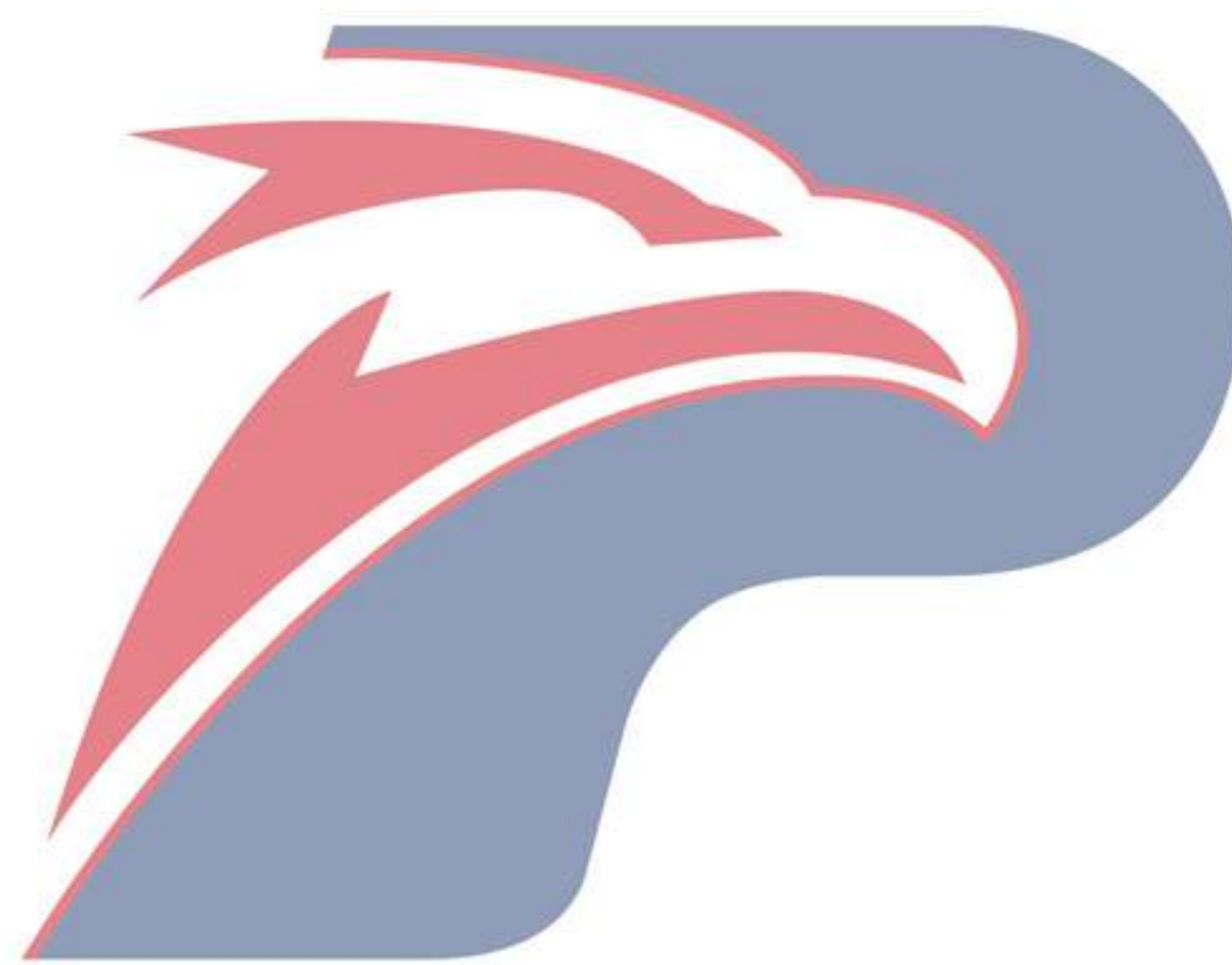
Observe the following regulations can ensure maximum operational safety, reduce downtime, and last the equipment's life.

- 1. Only trained operators will be allowed to induction operation. Training includes safety procedures, mechanical principles, methods of operation and troubleshooting.*
- 2. Operator must be thoroughly familiar with the manual, especially on the part of the safety regulations*
- 3. Inspection in accordance with the instructions in the manual car operation.*
- 4. Only qualified spare parts allows use of change for this truck, qualified mechanic or dealer allowed for repairing work.*

WARNING:

To alert that occur during all hazardous conditions, it is impossible. Operator is ultimately responsible for the safety of those. In case of emergency, you should use the experience to make the right judgments. The operator needs to comply with local regulations and relevant provisions.

Operating the Man Lifer Truck must be strictly in accordance with condition graph operations that otherwise result in serious injuries.



POWERSTAR

DAGNER!

No matter what position the hydraulic telescopic arm is, the whole truck man lifter should be relatively levels, otherwise it may cause personal injury work causing by bucket tipping.

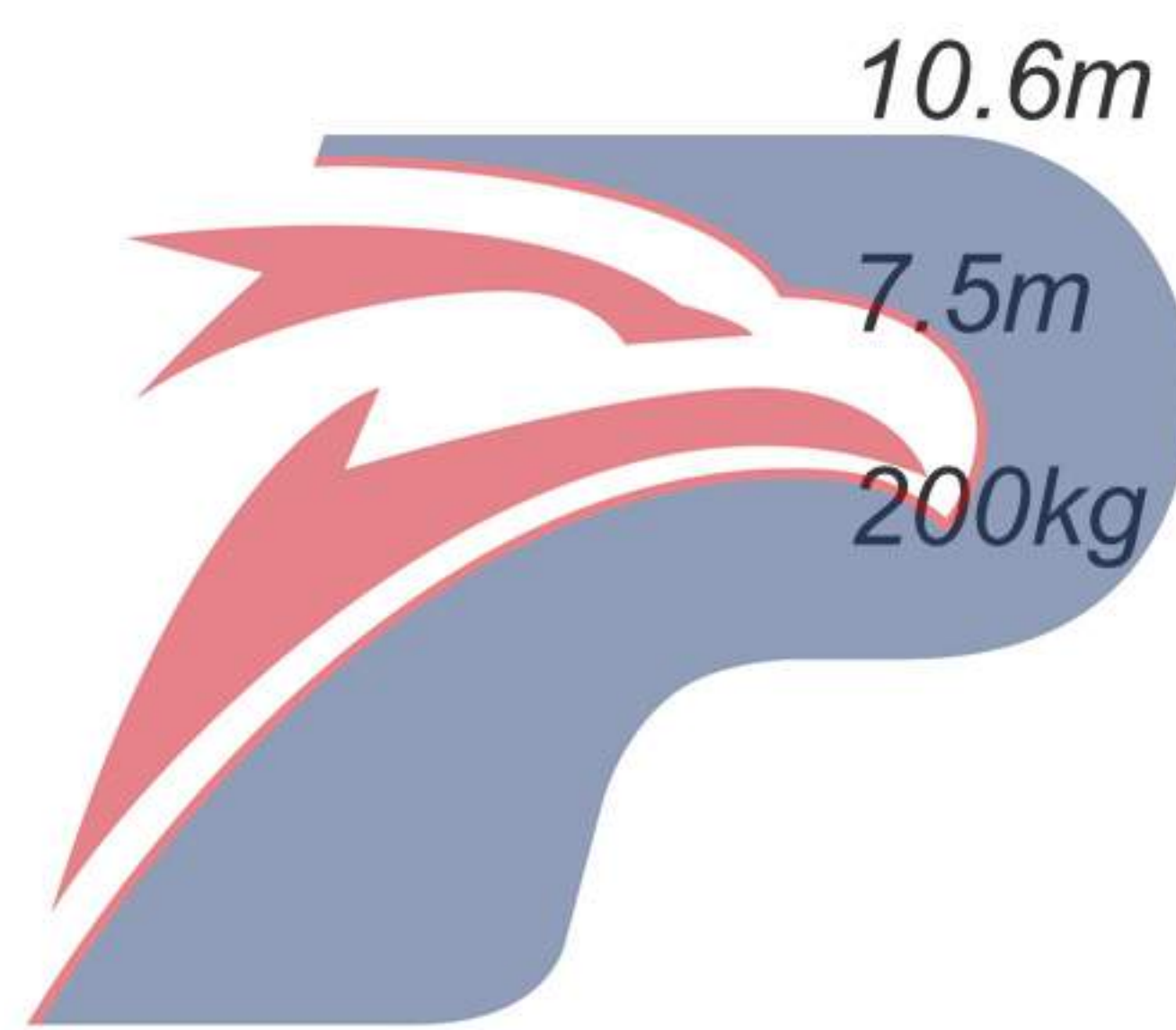
Chapter 3, Main Technical Data

i , Normal Operation Conditions:

- 1 Ambient Temperature: $-20^{\circ}\text{C} \sim 45^{\circ}\text{C}$
- 2 Wind force scale limited within level six
- 3 Workplace should be a solid formation, legs must be supported in real soil, slope ≤ 5
- 4 Operations must be in the horizontal situation

ii , Performance Parameters:

- 1、 Max Lifting Height
- 2、 Min. Working radius
- 3、 Bucket Loading Capacity



iii, Vehicle Specifications

POWERSTAR

1、 Main Measurements

Overall Dimension	6450×2200×3340mm
Wheelbase	3360 mm

2、 Weights Information

G.V.W	7300 kg
N.V.W	3900 kg

3、 Performance Characteristics

Chassis Model	QL1070
Seats Nos.	3 people Allowed
Ground Clearance	260mm
Max Speed (Limited)	95Km/h

Chapter 4, Structure Components and Working Principles

i , PTO System

PTO system consisted of the oil pump, PTO, electrical control switches and pneumatic solenoid valve. The system working in output the power to oil pump storage as a hydraulic energy. This system is controlled by an on/off switch that installed in the driving cab, through the interior of the switch's joint or separation, lead the gear be driven from the transmission make the pump stop or working.

Attention: Truck in driving, PTO should be in position of OUT-OFF transmission; make sure the oil pump not in RUNNING.

ii , Slewing Rotation System

Slewing rotary system consisted by the hydraulic motor, gear reducer, slewing gear, etc. The system worked as: hydraulic motor drive the reducer, the small gear, in reducer output shaft, drive the slewing ring move, and slew the saddle turnable.

iii, Centre Slewing Joints

The center slewing joints, installed in the center of rotatory saddle, achieved the oil and electric power through the truck. As the system equipped with rotatory rings, the hydraulic oil pipes and electric wires would not twisted together.

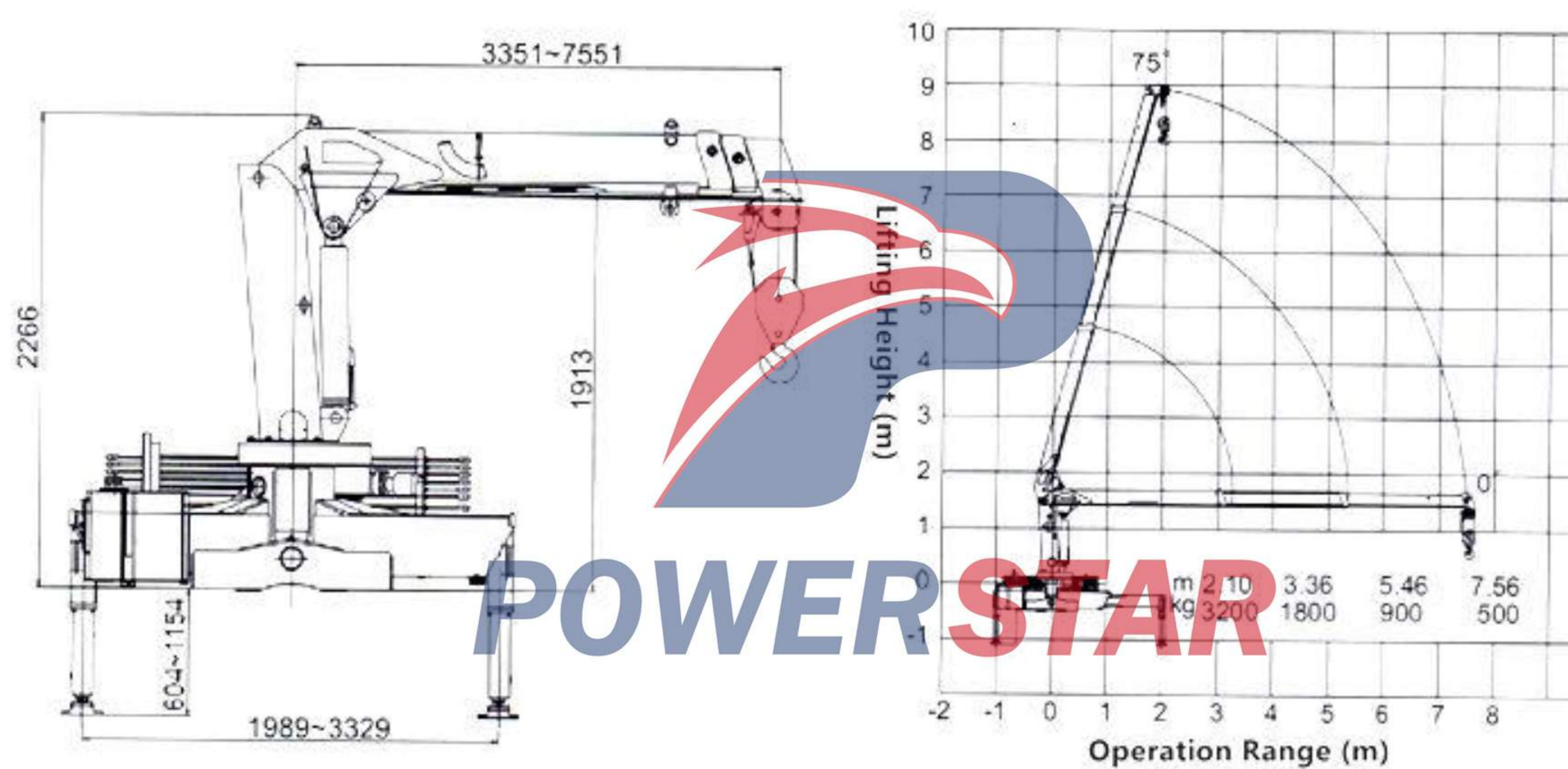
iv, Hydraulic System

The hydraulic system hydraulic oil supplied by ONE pump, worked pressure at 14Mpa, flux as 25L/Min, the pressure adjustable by an overflow valve.

When the PTO coupling with the transmission ,the pump will in a situation of running, the oil output from the oil tank to all the legs which controlled by a control valve equipped in the control panel.

Finished leg operation, handle the operation poke into position marked as, then, the oil would derived from leg system to “To arms”, and the upper control panel would be active, and then could start the next operation works.

POWERSTAR Man Lifter Truck with Crane Technical Drawing:



(Above showing technical drawing of the Man Lifter Crane)



(Inside of the basket equipped with safety pole)

Chapter 5, Structure Components and Working Principles

The operator should fully understand all control mechanism to operate vehicle properly. Only trained person can operate this vehicle to prevent unnecessary accidents and equipment damage.

i ,Driving of the Man Lifter Truck

- *Read the chassis manual and in which of chassis technical data before driving.*
- *Check if the joystick of PTO has separated to gear of vehicle before driving.*
- *The boom must be on the support arm resting place, the legs must be incorporated enough before driving.*
- *Inspection and maintenance should been carried out according to normal requirement before driving.*

ii ,Pre-operational Checks

- *Check if this vehicle complies with “normal working conditions” of instructions or not.*
- *Check if all connected components of this fastener is solid or not.*
- *Check if all components are lubricated as required or not.*
- *Check if filling hydraulic oil and opening the oil discharging valve or not.*
- *Check engine is in normal or not.*

iii, Man Lifter Truck operations **(Very Important)**

*1、Tighten the **hand brake**, pulling the transmission to neutral position, engine idling, paddling the clutch, pulling the throttle lever equipped in left hand side of the cabin, coupling the PTO, oil pump start working , observing the if the pump with abnormal noise, vibration, oil leakage or other abnormal situations. Idle vehicle in a few minutes and then operate it in cold weather conditions.*

Following show the Hand Brake & working principle:



The Joystick at **LOWER** place

The Man Lifter **cannot work**.



The Joystick at **UPPER** place

The Man Lifter **can work**

POWERSTAR

Note: When not use the Man Lifter Truck, please keep the Joystick at Lower place!

When use the Man Lifter Truck, please keep the joystick at UPPER place firstly!

Please change the **switch** as below to right position for all kinds of operations:



This Position for Man Lifter



This Position for Dumper Body

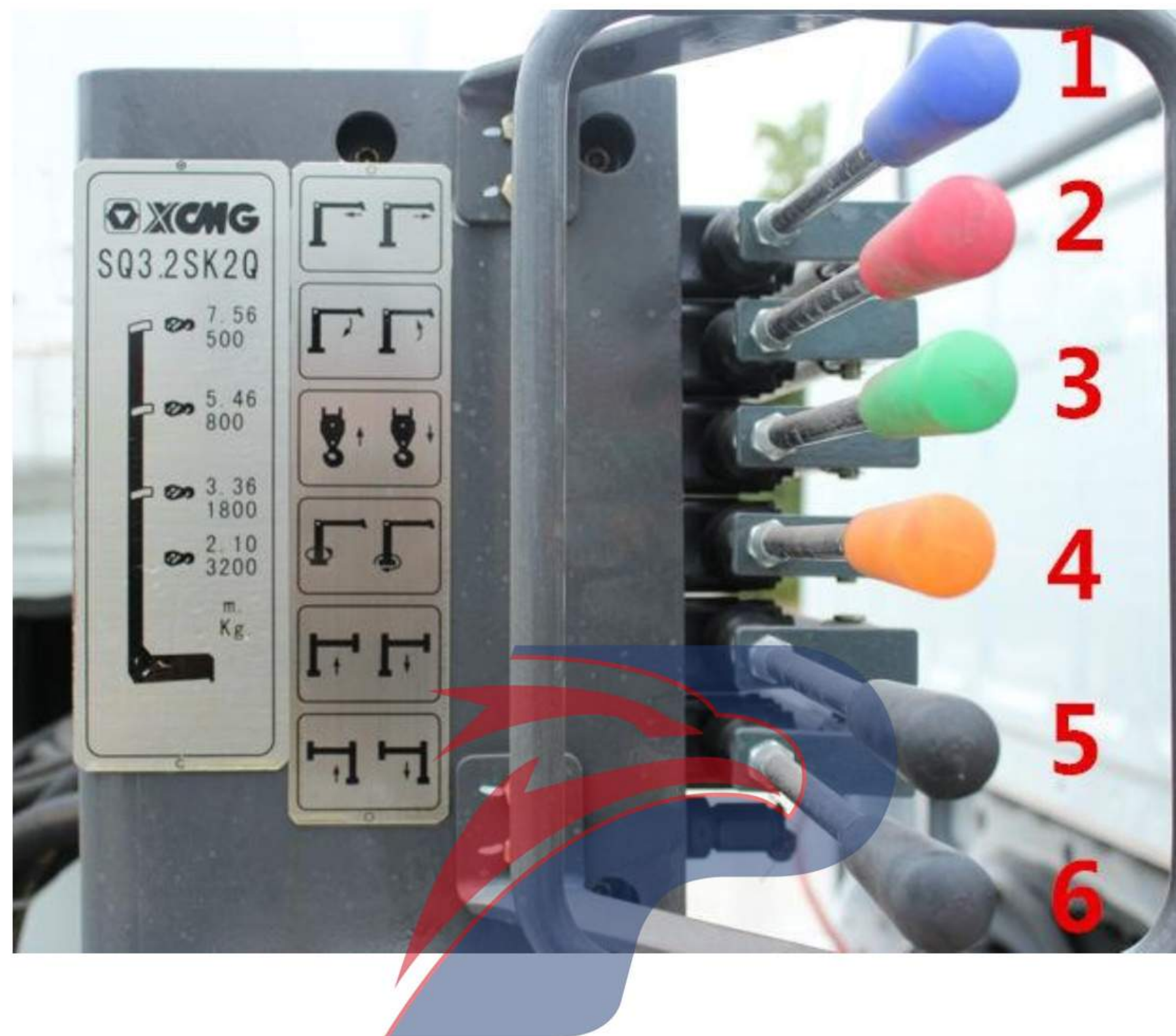
www.isuzutrucks.cn.com

Horizontal Position: Man Lifter hydraulic system working

Vertical Position: Dumper Body hydraulic system working

2. Following the instruction as following figures, firstly operating the legs.

Note: The operation must follow the direction step by step!



Joysticks 1: Control the telescopic crane arm to move **Retraction & Stretch**

Joysticks 2: Control the telescopic crane arm to move **Up & Down**

Joysticks 3: Control the crane hook the to move **Up & Down**

Joysticks 4: Control the telescopic crane system **Rotation Clockwise & Counterclockwise**

Joysticks 5: Control the one side hydraulic lets to move **Up & Down**

Joysticks 6: Control the one side hydraulic lets to move **Up & Down**

2.1、 Hydraulic Legs Horizontally Stretching

Control the Handle on hydraulic legs, to pull it out horizontally.



The Arrow in the picture show the Hydraulic legs horizontal direction move

2.2、 Hydraulic Legs Vertically Stretching

When pull out the hydraulic legs to extreme position, control Joystick 5 and Joystick 6 to have hydraulic legs move down to the ground.



The Arrow in the picture show the Hydraulic legs horizontal direction move

Operating leg action should be guided by this principle:

When start working,

- 1. Firstly stretch the horizontal leg,**
- 2. Then stretch the vertical leg.**

When finish working,

- 1. Firstly retraction the vertical legs,**
- 2. Then retraction the horizontal legs.**

Failure to do so will damage the vehicle or even legs. Stretch the leg must avoid any people to be suppressed.

3、 Truck Joysticks Operation (**Remember to put Switch at Horizontal position for Man Lifter**)

3.1 Man Lifter Operation. Make sure the Switch at Horizontal position for Man Lifter.

3.2 Make sure hydraulic legs stretch out to safety position, then can start other operations.

3.3 Control Joystick 2 to make the telescopic crane arm **Up & Down**



The Arrow in the picture show the telescopic crane arm **Up & Down**

3.4 Control Joystick 1 to make the telescopic crane arm **Retraction & Stretch**



The Arrow in the picture show the telescopic crane arm **Retraction & Stretch**

3.5 Control Joystick 4 to make the telescopic crane system **Rotation Clockwise & Counterclockwise**



The Arrow in the picture show the telescopic crane system Rotation

*3.6 Control Joystick 3 to make the crane hook the to move **Up & Down***



The Arrow in the picture show the crane hook Up & Down

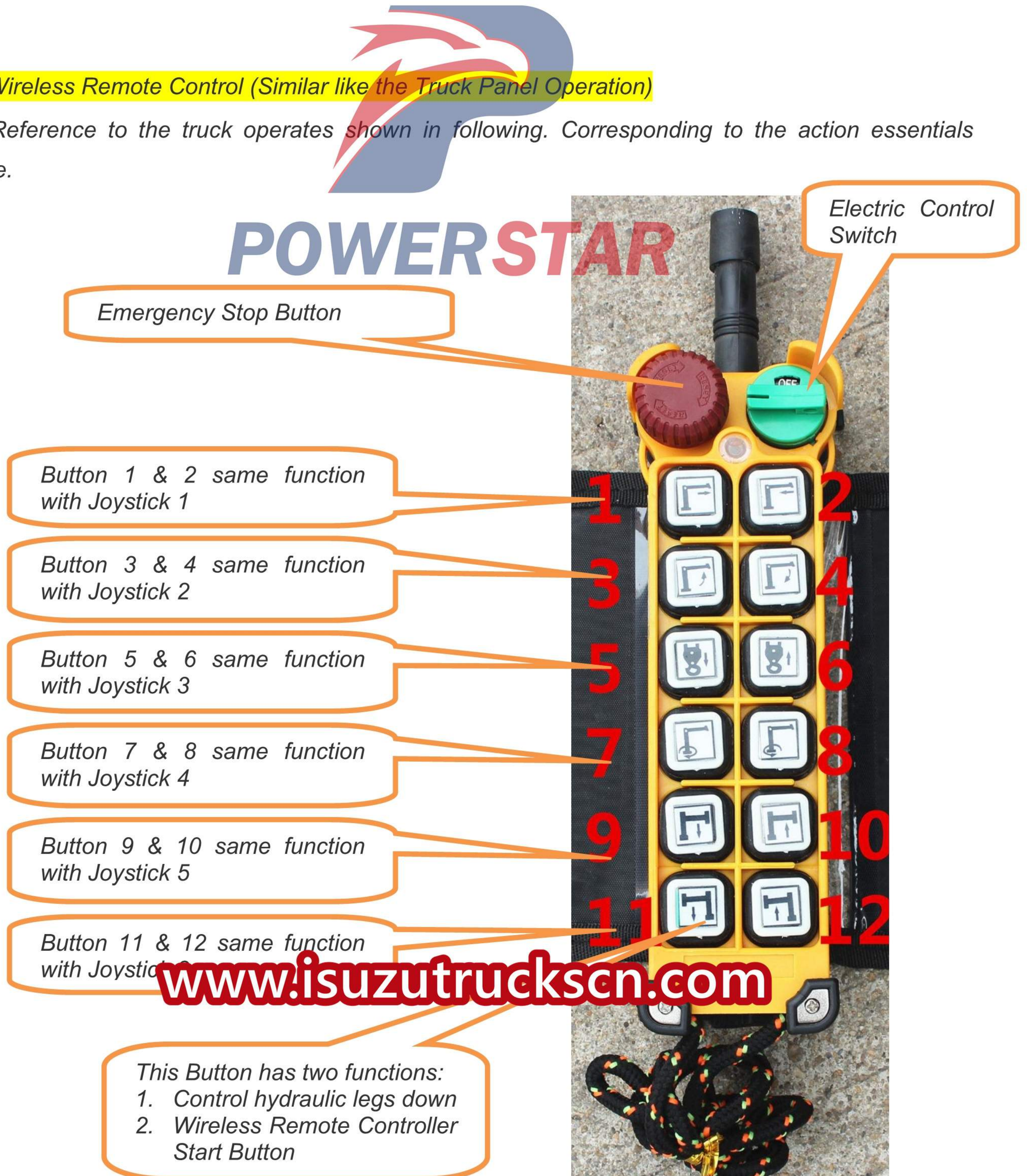
Please Note:

Firstly, operate Joysticks 3 to control crane hook Up & Down, and leave enough space for other operation.

Secondly, operate Joysticks 1, 2, 4 to control the Man Lifter working.

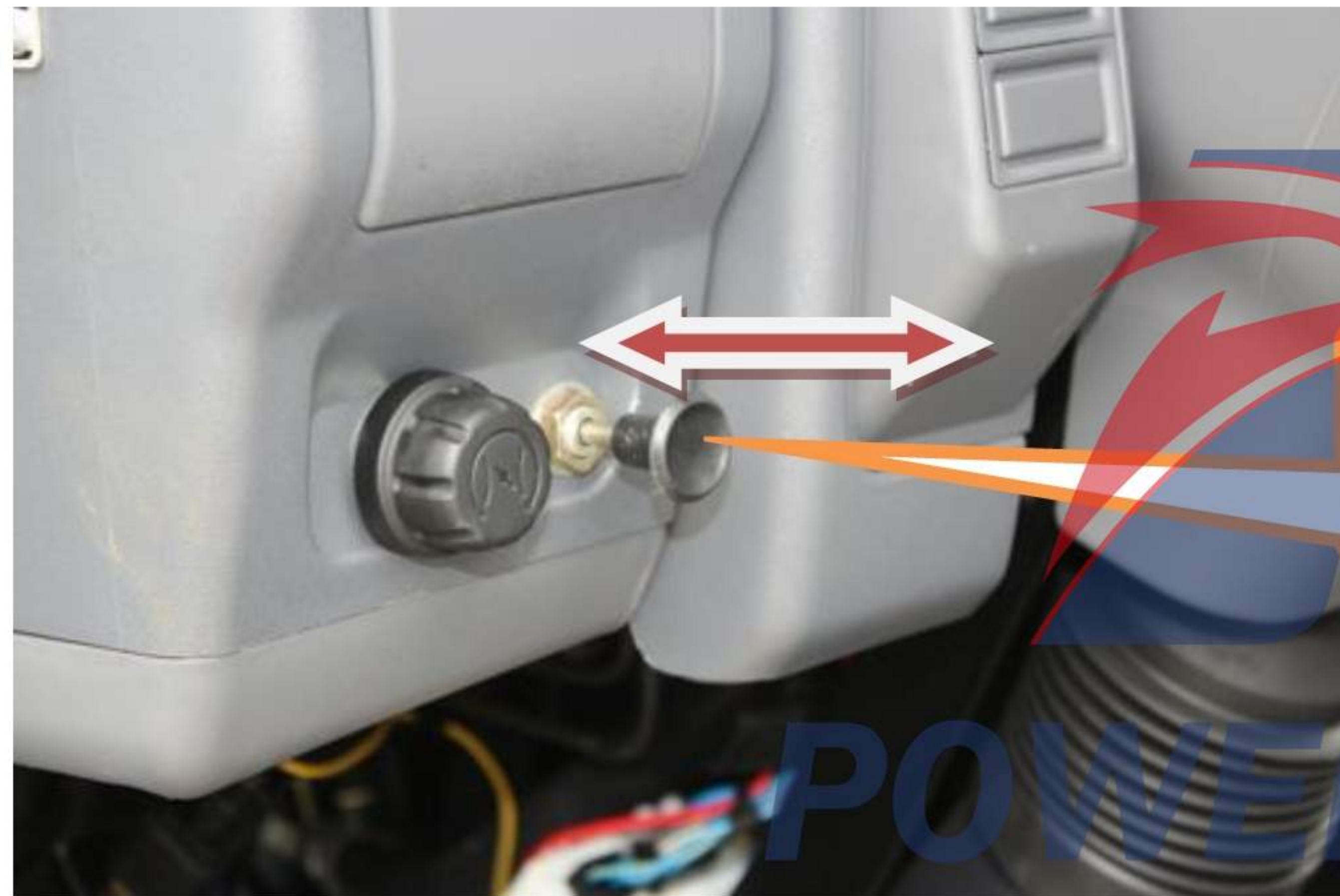
4. **Wireless Remote Control (Similar like the Truck Panel Operation)**

Reference to the truck operates shown in following. Corresponding to the action essentials above.



4.1 Start truck engine, and keep the Accelerator Handle at working position.

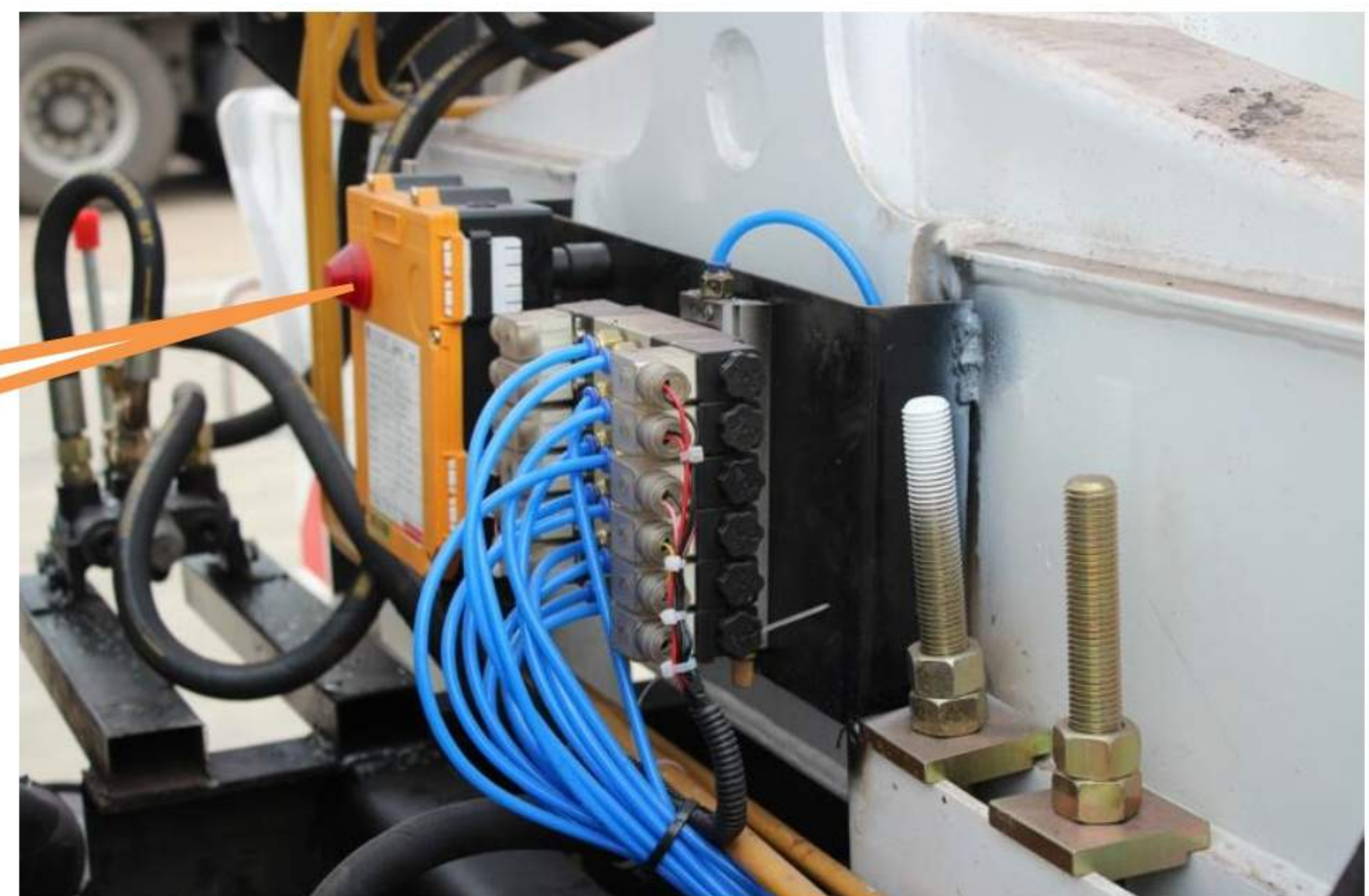
4.2 Pull out the button in cabin, to make the Wireless Remote Control System get power



Button has two functions:
Pull: Remote Control System working
Push: Remote Control System not working

POWERSTAR

This indicator on means the whole Remote Control System working



4.3 Press Button 11 to make the Wireless Remote Controller working.

Make sure Emergency Stop Button released and Electric Control Switch ON Position

Emergency Stop Button Released

Electric Control Button ON Position

www.isuzutruckscn.com



4.4 Control Button 1~12 to have the Man Lifter working. Control steps same with Joystick 1~6

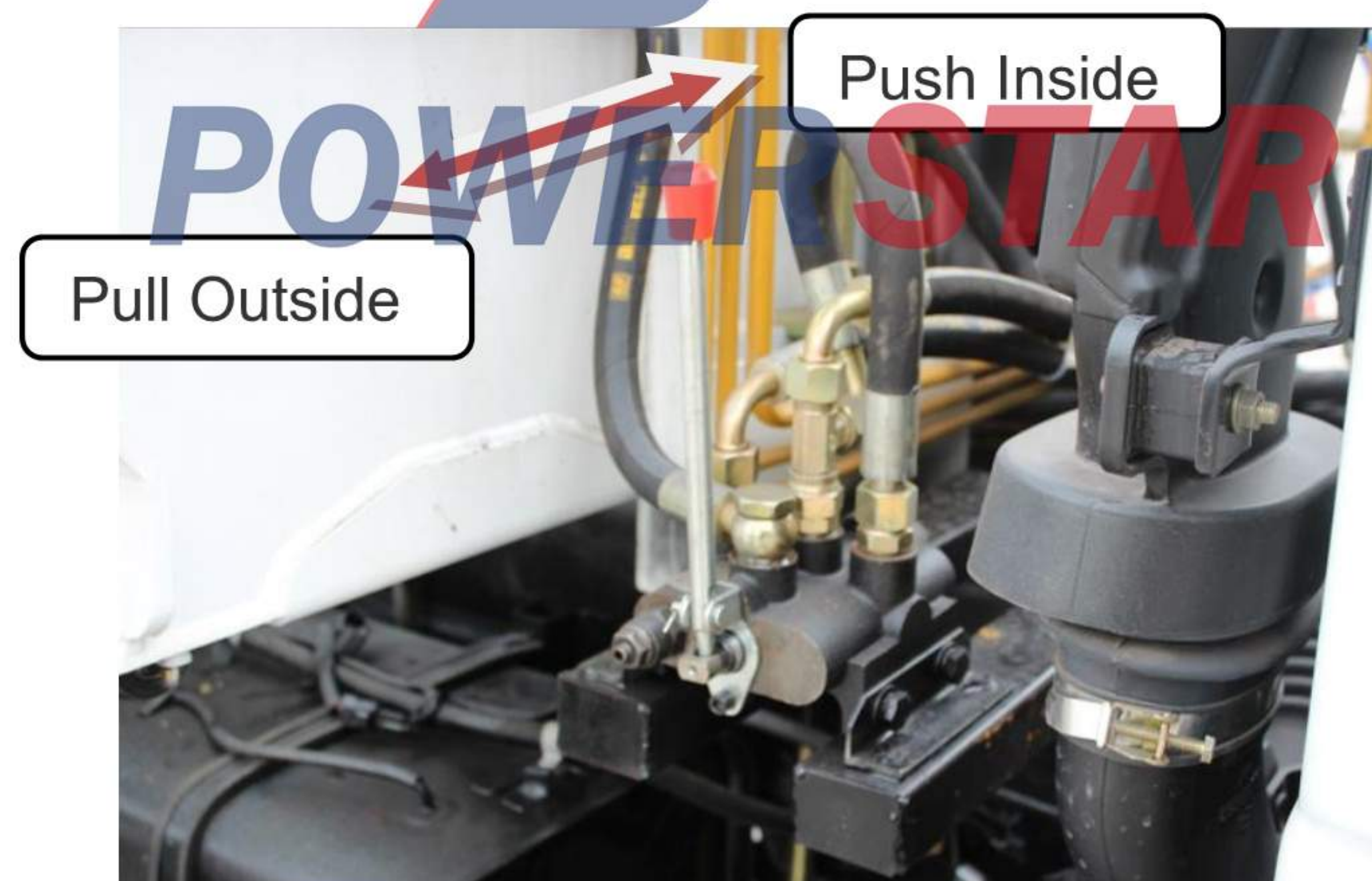
5. Rear Dumper Body Operation

5.1 Please change the **switch** as below to vertical position for Dumper Body working:



This Position for Dumper Body

5.2 Operate the Hydraulic Joystick to control dumper body up & down



Pull Outside: Dumper Body up to discharge

Push Inside: Dumper Body down to initial position

iv, Notes & Attentions

- *Outrigger operation, the horizontal legs must be stretched and then stretched the vertical leg. After finishing, the vertical leg must be reduced, the level of the legs*
- *Get off the first operation, and then operating on the truck. After the first collection on the truck, and then close off.*
- *When Arm in work, rising the first arm and then moves the arm up and down the arm.*
- *Staff into the work bucket, must wear seatbelts, not overloaded.*
- *People who arrange operation on the ground cannot leave*

Chapter 6, Hoist Hooker Operation

Operators can take advantage of the boom arm to lift materials. Crane has a load table, the rated lifting capacity.

Operator must memorize the amount of work lifting the truck for Lifting, you should know the hanging weight of the goods compared with the rated load when lifting goods, first it is lifted into place, then the percentage change in use to achieve the lower arm in place. At this point, the goods should not be hanging over the lower arm angle in this piece, the maximum permitted rated load.



When using the crane must comply with the following regulations, such as failure to comply with these regulations will be the make operator and ground crew injury.

- Lifting, lifting hoists are not allowed to exceed the rated load indicated in the table.
- Weight lifting is not allowed to load unknown goods.
- It will not allow pulling the side, except for what happened with the operator's side of the physical tension.
- Operating vehicles are not allowed to use pole, pull cables, etc., should be special device to do this work.
- Be sure to replace worn or damaged winch rope immediately
- Mankind prohibited standing in the bucket when hoist hooker working.
- The correct command is the basis for lifting should be planned and prepared.
- To comply with the procedures provided in this manual to ensure the stability of operating vehicles.

Chapter 7, Maintenance & Repair

To make the vehicle in good condition and improve the service life, you need regularly maintenance and repair. Find fault and solve in time to prevent accidents.

i , Chassis Truck Maintenance

- *Based on the instruction of the chassis.*

ii , Routine Checking & Maintenance

- *Visual appearance, to determine the shape is good, whether the hydraulic components and piping leaks oil traces, if any leakage, the timely replace seals.*
- *Check the key components and fasteners loose coupling, and timely fastening.*
- *According to the lubrication sheet lubrication requirements for all components, check the hydraulic oil tank.*
- *Check the hydraulic hoses for wear, loose connections or oil leakage. In particular, especially on the pipeline.*
- *Check all welding point, especially bucket; arm, turntable, and other key parts of the weld rod have hairline cracks or cracks. If so, you should immediately stop and inform using the company's maintenance notice, are not allowed to weld personally .*

iii, Hydraulic System Checking

1、 Filter

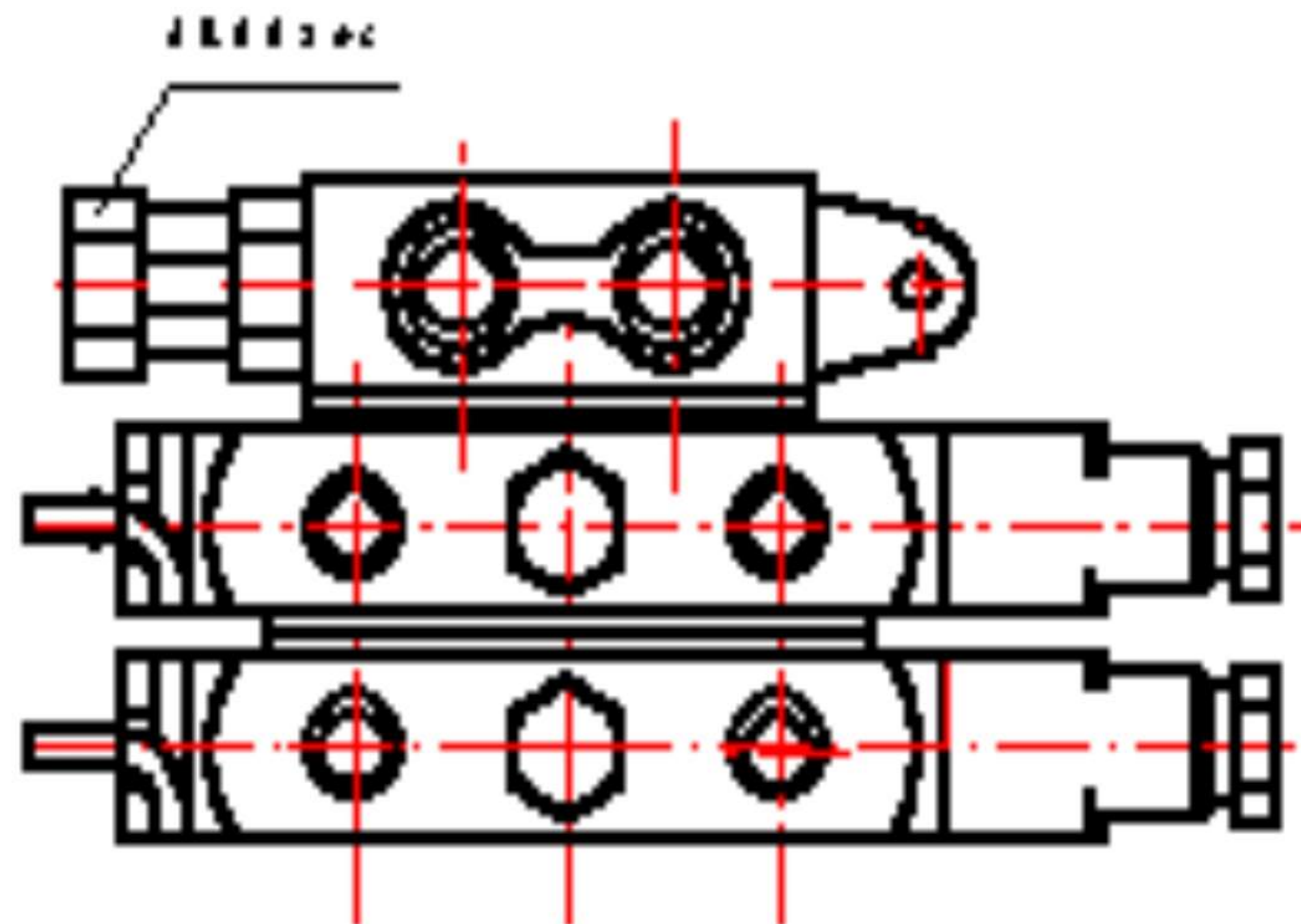
Operating vehicles used for the first month (not less than four hours a day) to be replaced after the oil and return oil filter oil filter, clean the filter. Oil contamination is found, replace the hydraulic oil must be filtered before or after a thorough re-injection.

2、 The relief valve

Rated operating pressure of the truck is 14MPa, overflow pressure is between 16 ~ 17.5Mpa, operating vehicles over time, due to possible contamination of hydraulic oil to the oil filter oil filter or filter plug back pressure is low or there excessively high, then the staff should be cleaning the filter. Should the pressure is still too low, then the relief valve cannot shut, legs should be clean and adjust operation of the valve on the relief valve. Relief valve adjusted at the factory, usually without adjustment. For adjustment, it shall ask an experienced technician. Pressure adjustment is wrong; the vehicle will not work, or shorten the pump life and cause failure.

2.1 Pressure Adjustment

Make sure that truck stopped working, and not move. Unscrew the relief valve with a wrench on the cover sheet, which has a slotted cylindrical plug, use a flathead screwdriver to adjust them, the pressure increases, otherwise, counterclockwise pressure. System pressure reading is: stretch or shrink the legs in place, continue to operate, a sudden increase in pressure gauge, the value is reflected in the overflow system pressure. Note: when legs in place, the handle a little later, the observed data should immediately release it.



2.2 Relief valve cleaning

With 30 of the relief valve open or box end wrench to unscrew the whole body, with a clean gauze blocked ports, to prevent large oil spill, then press the top with a cross from the pressure inside the spool, back and forth several times, and add a little hydraulic fluid until the impurities discharged from the hole and remove impurities. At this point blown this end with mouth should not leak. (Be

careful not to move other parts of the hydraulic system to prevent the influence of pressure)

3、 Hydraulic oil check

Hydraulic system reliability and life of hydraulic components and hydraulic oil system cleanliness has an extremely close relationship. Most of the hydraulic system failures are due to impurities within the hydraulic oil caused, so keep the fluid in use and regularly check the oil cleanliness is very important.

Oil-based inspection method can be used intuition, if oil color, fog, haze or smell, the oil has become bad. Drop of oil on the hot plate, if the sound burst the water too much, and then be replaced with new oil. Generally changed every six months, clean the filter once every three months.

Timely check the oil temperature should not exceed 60 °C. If that cannot maintain the value of oil continues to rise, they should immediately stop checks.



POWERSTAR

iv, Rob's Adjustment

Prolonged use of vehicle operation, the amount of deformation due to their own bar will appear loose, there will be two rod tightness, cannot result in fighting to maintain a balance, and you should adjust to the rod. Adjust the time using visual and hands.

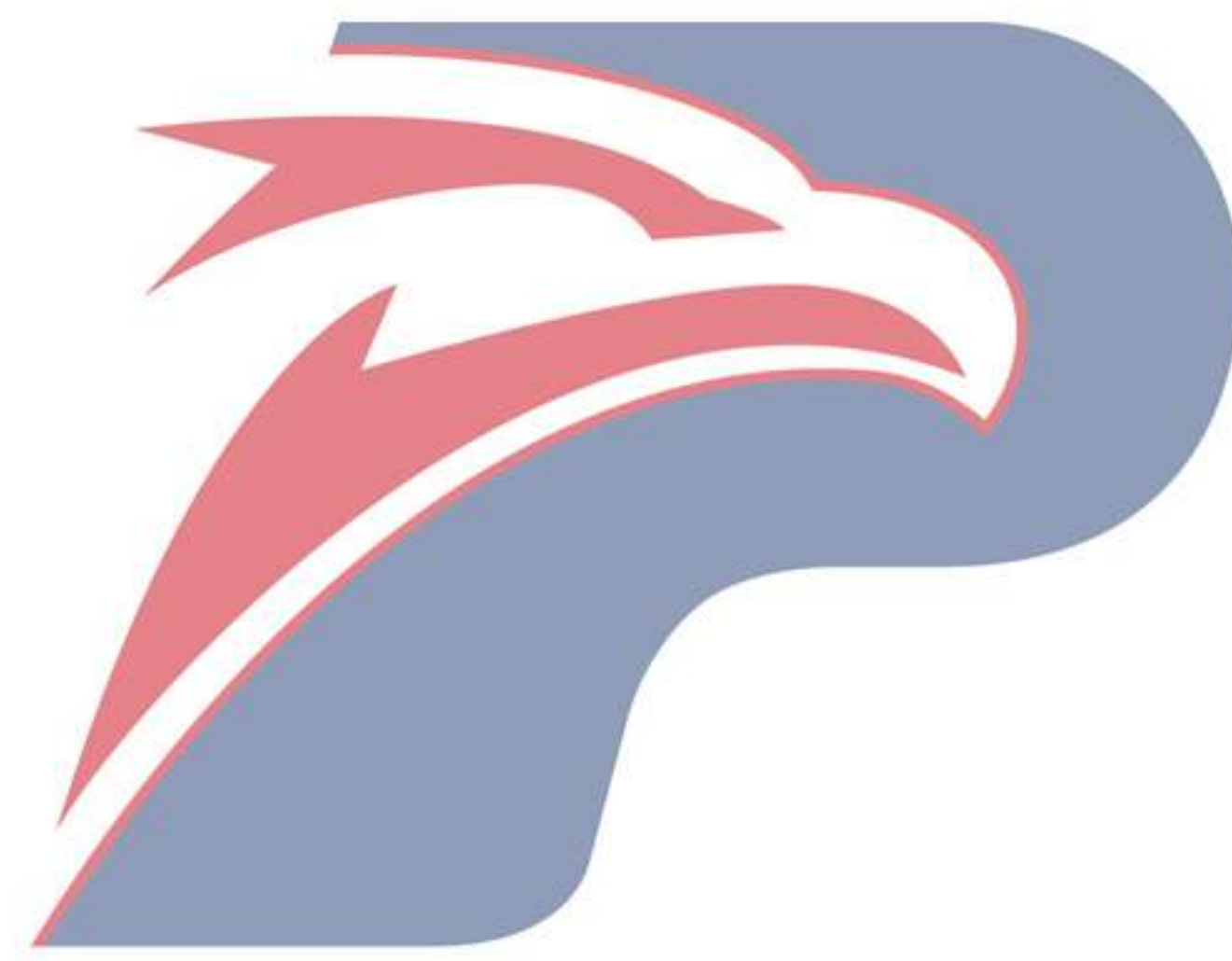
Observe the rod hand touch the tightness of each of two steel bar with a wrench to adjust the adjustment nut clockwise to tighten, counterclockwise to loose, until leveling up.

Note: Staff must be checked before the operation lever, and the requirements must be thoroughly inspected once a month.

v , **Malfunction Analysis**

<i>Malfunction</i>	<i>Possible Reason</i>	<i>Solution</i>
<i>Handle holded, cylinder does not move or move slowly.</i>	<ul style="list-style-type: none"> ➤ <i>PTO does not hang up the work file</i> ➤ <i>Pump damage</i> ➤ <i>Low pressure for relief valve.</i> ➤ <i>Suction filter blocked or tank liquid level is too low</i> ➤ <i>Cylinder or rotary infiltration within the central connector</i> ➤ <i>Engine speed is low, oil less than the system supply</i> 	<ul style="list-style-type: none"> ➤ <i>Turn on power take off switch</i> ➤ <i>Replacement or repair</i> ➤ <i>Increase the pressure on</i> ➤ <i>Clean and change oil filter, oil</i> ➤ <i>Examined in order</i> ➤ <i>repair the Engine</i>
<i>Hydraulic system noise sound serious, severe beating pressure gauge pointer</i>	<ul style="list-style-type: none"> ➤ <i>Oil level is too low, inhaling air into the oil pipeline</i> ➤ <i>Oil filter or oil flow valve obstruction caused by poor hole</i> ➤ <i>Uneven pump operation</i> ➤ <i>Oil temperature is low or the oil has gone</i> 	<ul style="list-style-type: none"> ➤ <i>Add a little hydraulic oil, the pipeline leaks mended; then load cycle times, cylinder movement to the limit position, to exclude air.</i> ➤ <i>Clean filter or valve replacement</i> ➤ <i>Repair or replace the pump</i> ➤ <i>Low speed pump, or replace the oil with new oil heating</i>
<i>Boom sink</i>	<ul style="list-style-type: none"> ➤ <i>Balancing valve failure</i> ➤ <i>The fuel tank vent</i> ➤ <i>Fittings leak</i> 	<ul style="list-style-type: none"> ➤ <i>Balancing valve replacement</i> ➤ <i>Replace the seals or the exclusion of other causes</i> ➤ <i>Tighten fittings or replace seals</i>
<i>Oil temperature is too high</i>	<ul style="list-style-type: none"> ➤ <i>At full capacity too often</i> ➤ <i>Overflow relief valve pressure is too high, the system component parts are often subject to high impact</i> ➤ <i>Pump speed is too high</i> ➤ <i>High viscosity</i> ➤ <i>serious leaking</i> 	<ul style="list-style-type: none"> ➤ <i>Appropriate parking cooling</i> ➤ <i>Adjust the pressure relief valve</i> ➤ <i>Appropriate to reduce engine speed</i> ➤ <i>For a suitable viscosity hydraulic oil</i> ➤ <i>Check the hydraulic components</i>

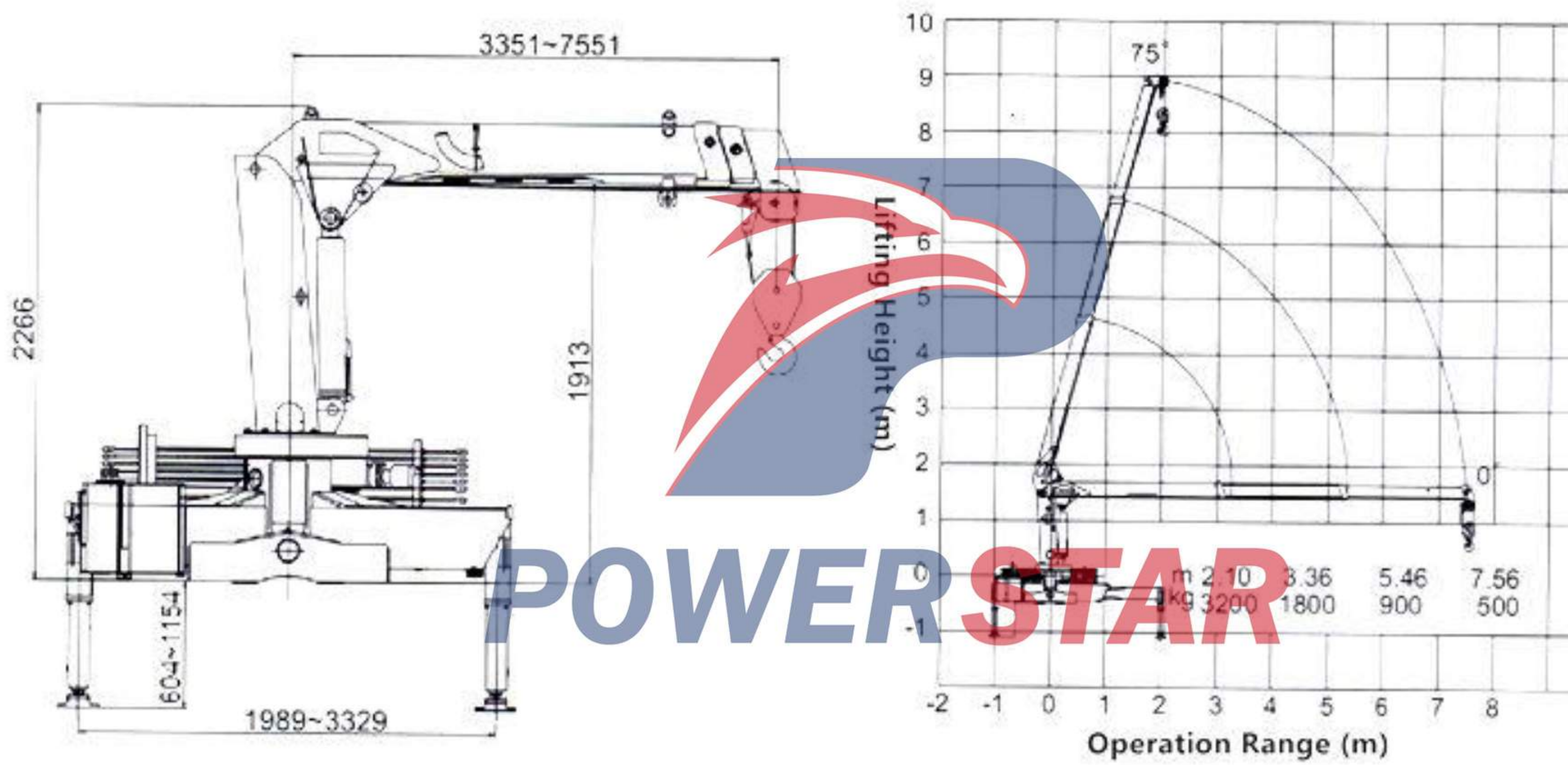
<p><i>Legs sinking or driving status automatically retracts legs stretched out</i></p>	<ul style="list-style-type: none"> ➤ <i>The fuel tank vent</i> ➤ <i>Fittings leak</i> ➤ <i>Hydraulic lock failure</i> 	<ul style="list-style-type: none"> ➤ <i>Replacement of cylinder seal or the exclusion of other causes</i> ➤ <i>Tighten fittings or replace seals</i> ➤ <i>Replacement of hydraulic lock</i>
--	--	--



POWERSTAR

Chapter 8, Lubrication

Please lubricate all main parts according to the following table in order to increase of service life of all parts. The chassis lubrication should be operated with chassis manual.



(Lubricating above showing telescopic crane)



(Lubricating all necessary point showing above)

Chapter 9, Transport & Storage

The overhead working truck drives in short distance while which should been transported by train and other transportation tools for long distance. The necessary Antifreeze and water-resistant measures should been down while it is fixed on transportation tools tightly.

- *The outriggers strengthen for protecting front and rear axle's springs when the overhead working truck no using in short time and which should been taken following storage in long time no using situation.*
- *Wiping off the dust and grease the body often for keeping cleans.*
- *All tires are with required pressure and paved with wood for offing the ground, meanwhile, the boom cylinder rod fully retracted to the shortest position.*
- *Battery should been stored in a dry ventilated place after removed from truck and been checked and charged regularly.*
- *Observation of unload movement of all parts after engine started monthly for checking normal or not.*
- *The overhead working truck should be stored in the warehouse and which should been covered with waterproof cloth if placed in the open air. Inspection should been strengthen for truck in wet areas or wet season to prevent leaks corrosion and freezing in winter should been down to prevent sand.*